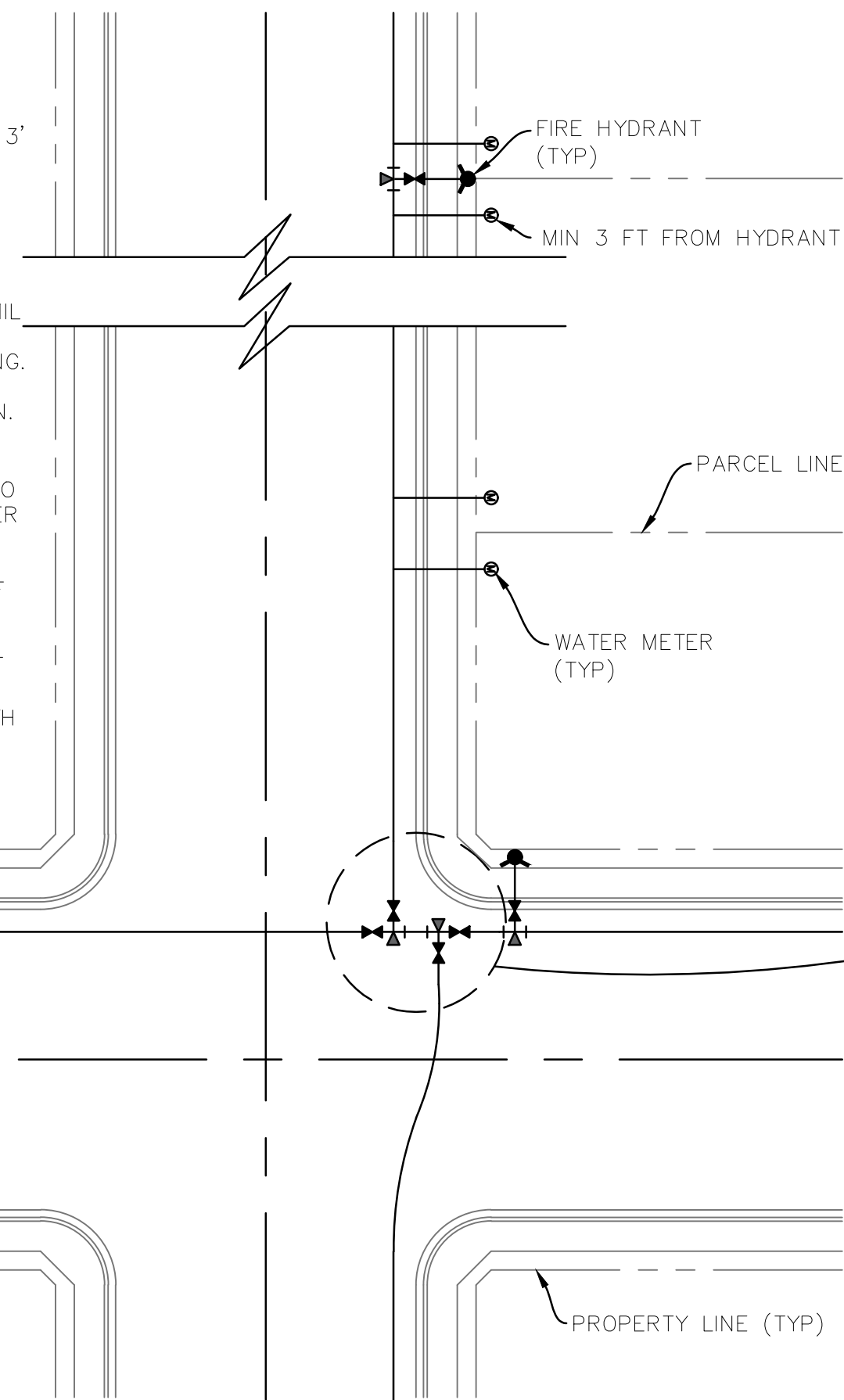


**NOTES:**

1. WATER LINES ARE TO BE INSTALLED ON THE NORTH OR EAST SIDE OF THE R.O.W., NO LESS THAN 2' OR MORE THAN 3' FROM LIP OF CURB UNLESS OTHERWISE SHOWN.
2. ALL FERROUS METAL PIPE, VALVES, FITTINGS, AND APPURTENANCES SHALL BE WRAPPED WITH A MINIMUM 8 MIL HIGH DENSITY POLYETHYLENE MATERIAL PRIOR TO BACKFILLING.
3. DEADENDS MUST EXTEND A MIN. OF 43' BEYOND THE LAST VALVE, TO A POINT BEYOND SURFACE IMPROVEMENTS, OR TO THE PROJECT LIMITS, WHICHEVER IS GREATER.
4. AVOID METER SERVICES OFF OF DEADEND LINES.
5. HYDRANT LOCATIONS TO BE AT INTERSECTIONS AND/OR ON PARCEL LINES AND PAIRED WITH WATER METER SERVICES.



**TYPICAL TRACT PLAN** (I)  
UTE WATER STANDARD DETAILS  
SCALE: NTS

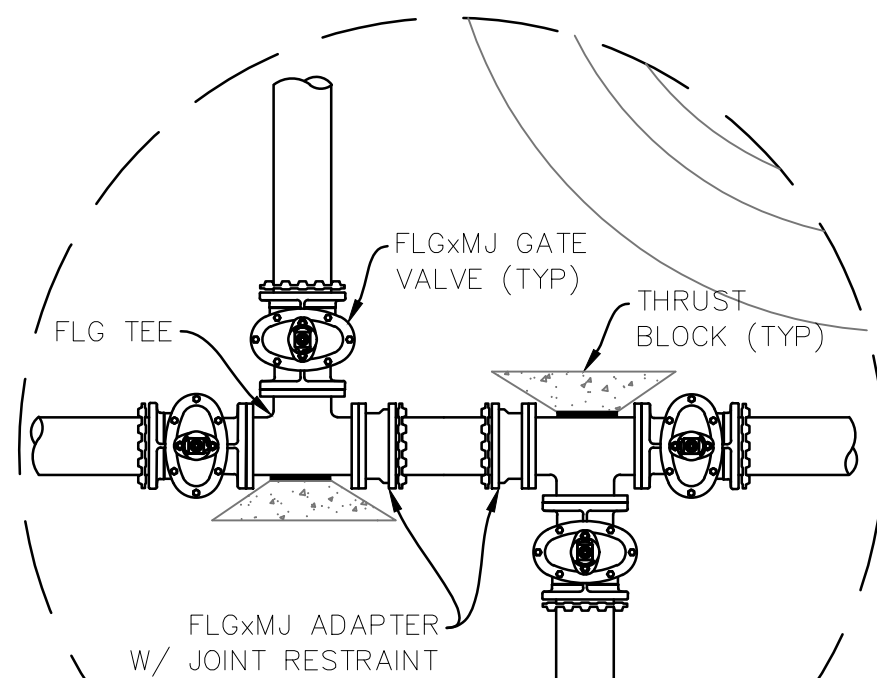


TABLE FOR CONCRETE THRUST BLOCKING  
BEARING AREAS (IN SQ. FT.)

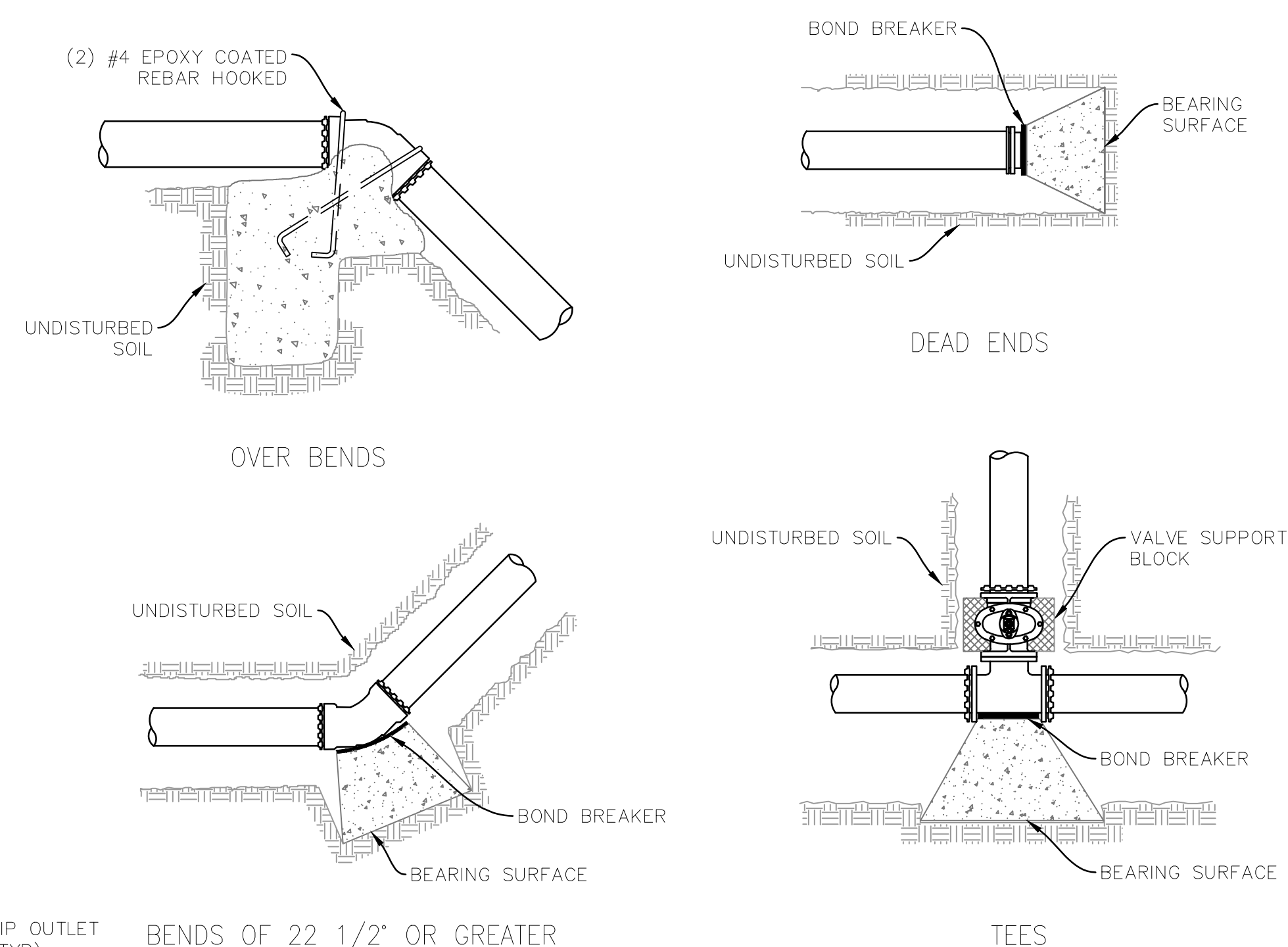
SIZE	BENDS			TEE BRANCH SIZE AND DEAD ENDS
	90°	45°	22 1/2°	
6	4.0	2.2	1.1	2.8
8	7.1	3.8	2.0	5.0
10	11.1	6.0	3.0	7.8
12	16.0	8.6	4.4	11.3
14	21.7	11.8	6.0	15.4
16	28.4	15.3	8.0	20.0

FIRE HYDRANT THRUST BLOCKS SHALL BE A MIN OF 1/4 CU. YD. IN MASS AND HAVE A MIN BEARING AREA OF 5 SQ. FT.

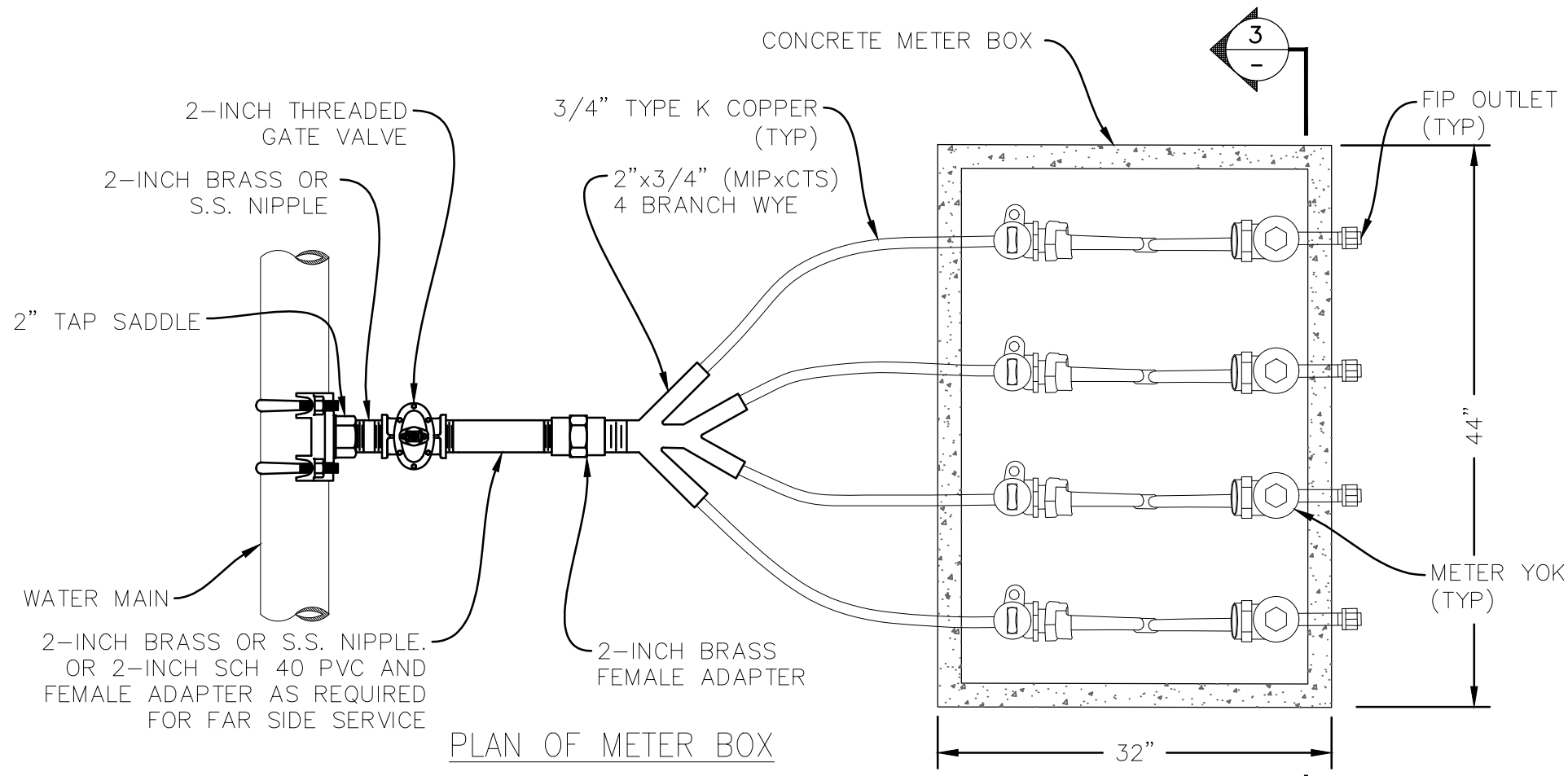
AREAS GIVEN ARE BASED ON INTERNAL STATIC PRESSURE OF 100 P.S.I. AND SOIL BEARING CAPACITY OF 1,000 LBS. PER SQ. FT.

AREAS FOR ANY PRESSURE AND SOIL BEARING CAPACITY MAY BE OBTAINED BY MULTIPLYING TABULATED VALUES BY A CORRECTION FACTOR "F"

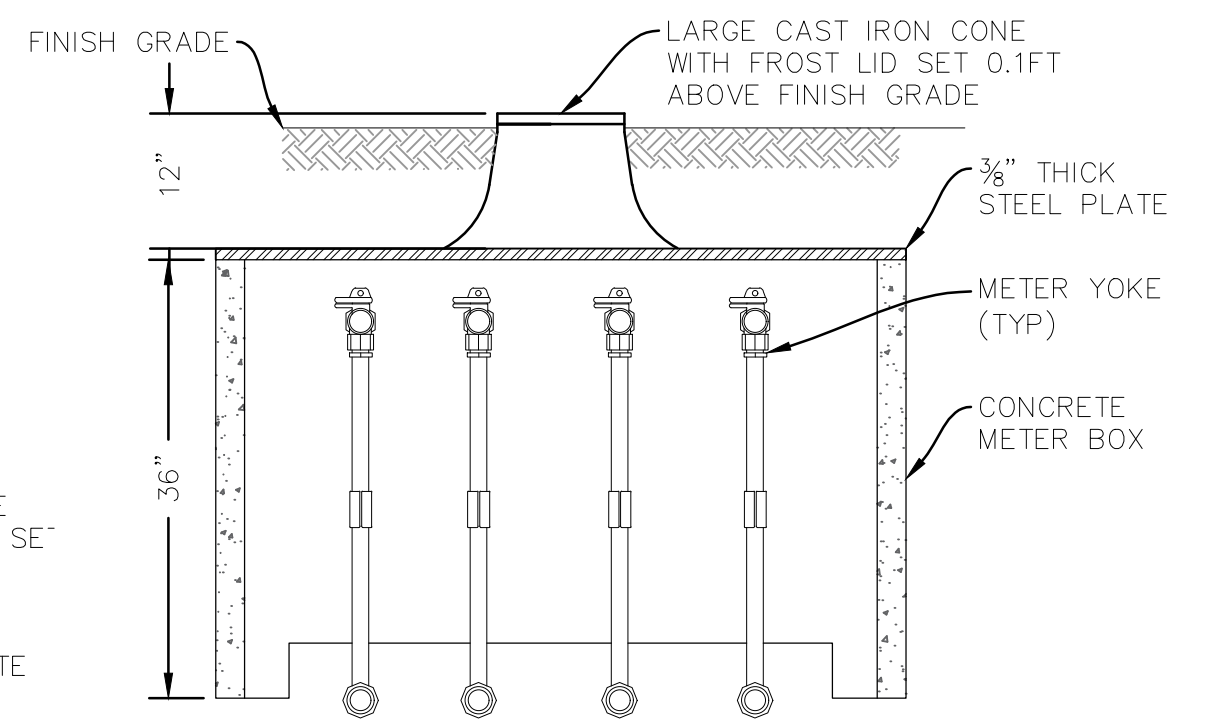
F = ACTUAL SPECIFIED TEST PRESSURE IN HUNDREDS OF LBS PER SQ. INCH. / ACTUAL SOIL BEARING CAPACITY IN THOUSANDS OF LBS.



**THRUST BLOCK DETAILS** (J)  
UTE WATER STANDARD DETAILS  
SCALE: NTS



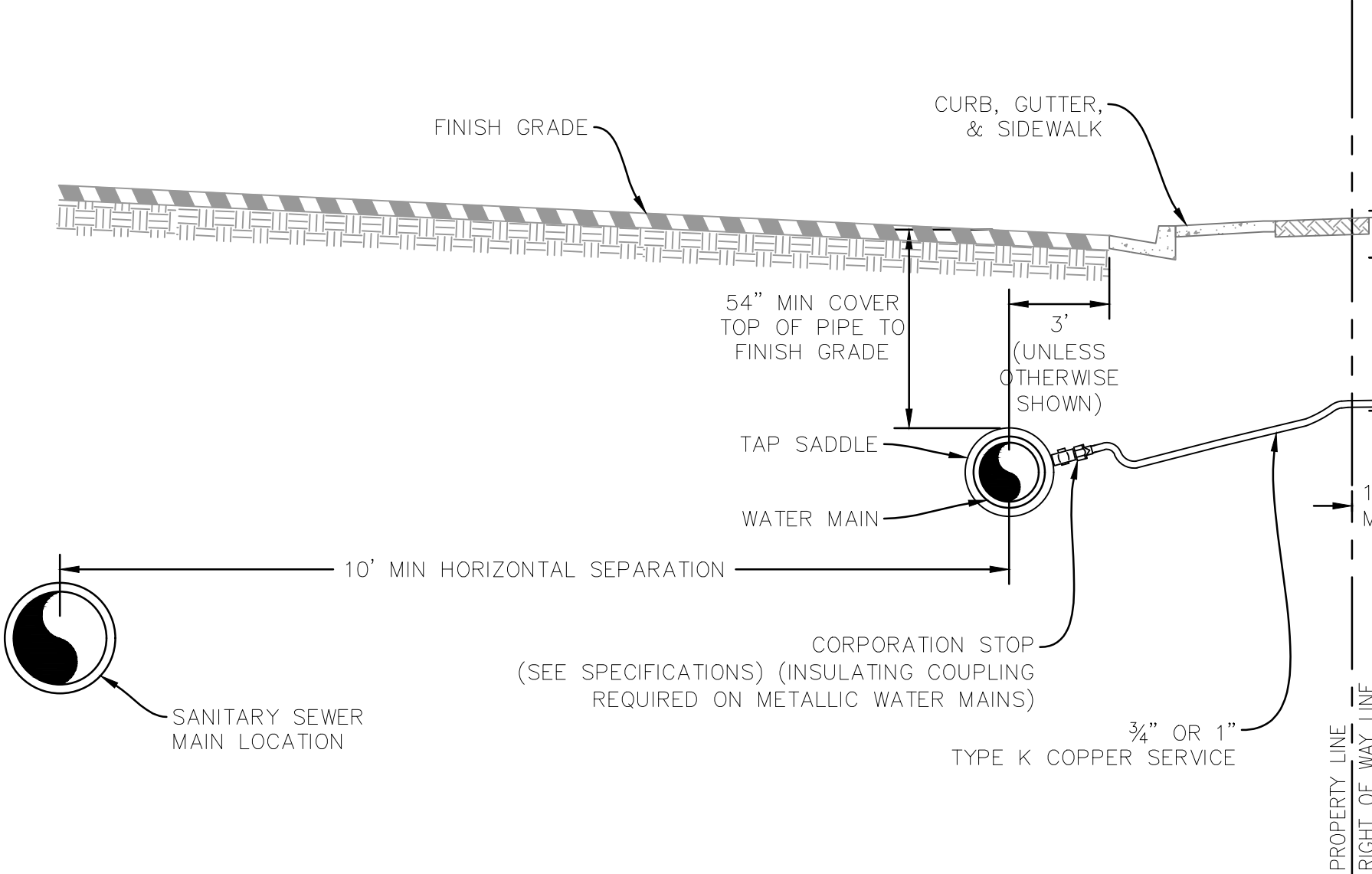
**PLAN OF METER BOX**



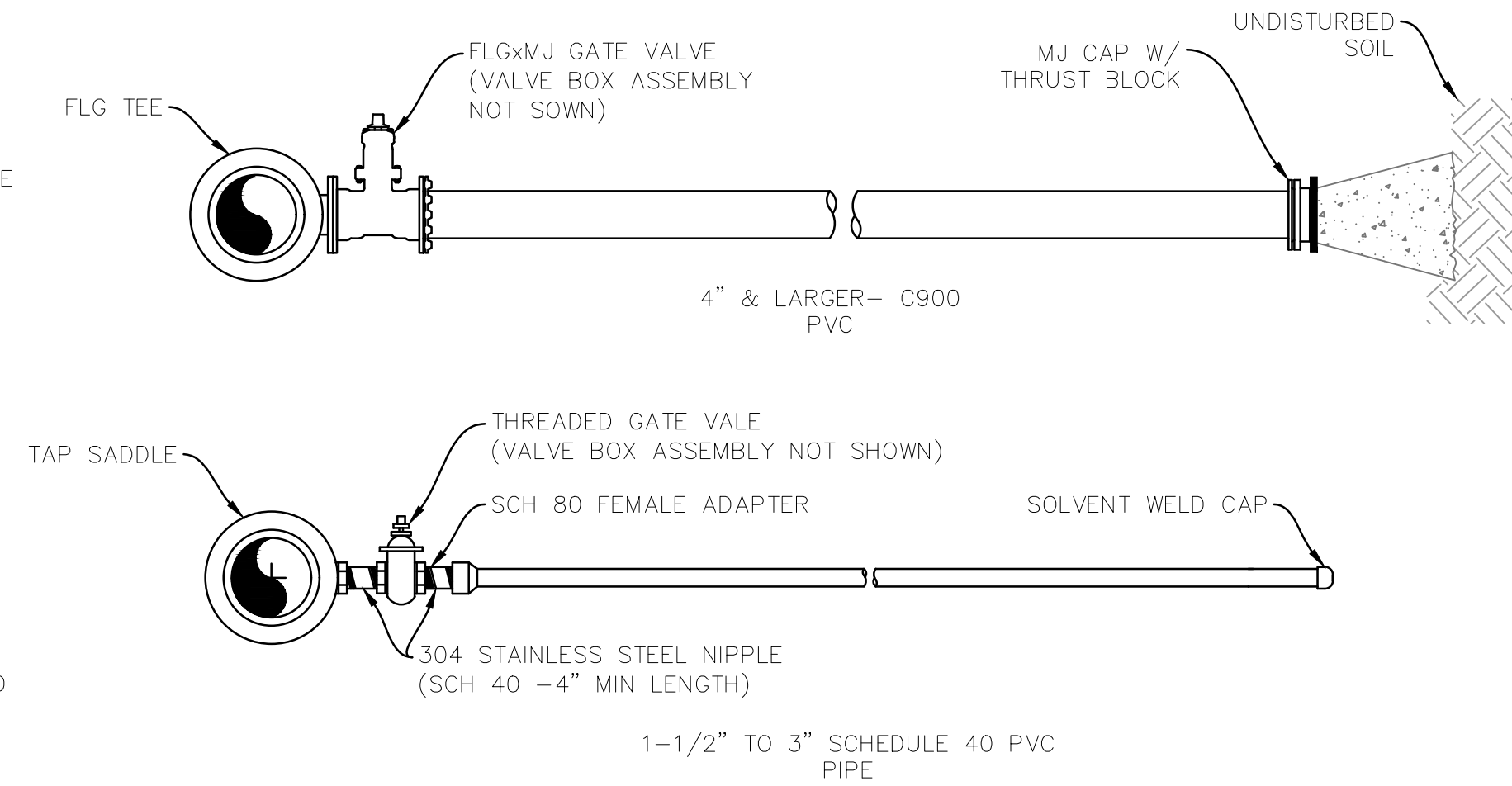
**SECTION OF METER BOX**

**4 METER GANG BOX DETAIL** (L)  
UTE WATER STANDARD DETAILS  
SCALE: NTS

- NOTES:**
1. CAST IRON CONE AND CONCRETE METER PIT ASSEMBLY SHALL BE SET 0.1 FT ABOVE FINISH GRADE.
  2. SERVICE LINES SHALL EXTEND THROUGH THE EXISTING CONCRETE METER PIT BLOCKOUTS ON THE BOTTOM RING.
  3. METER YOKE SHALL BE CENTERED WITHIN THE CONCRETE METER PIT.



**DOMESTIC SERVICE DETAIL** (K)  
UTE WATER STANDARD DETAILS  
SCALE: NTS



- NOTES:**
1. ALL COMMERCIAL SERVICE LINES SHALL HAVE A 3/4" TAP SADDLE, CORP STOP AND COPPER INSTALLED AT THE END TO ALLOW FOR BLEEDING OF AIR. CONTRACTOR SHALL DIG UP AND TURN OFF CORP STOP AFTER TESTING HAS BEEN COMPLETED AND WATER LINE IS ACCEPTED BY UTE WATER.
  2. SERVICE LINE ENDPOINT IS TO EXTEND TO PROPERTY SIDE OF THE RIGHT OF WAY LINE AND MARKED WITH A STEEL POST.

**1-1/2 & LARGER SERVICE DETAILS** (M)  
UTE WATER STANDARD DETAILS  
SCALE: NTS